

eGo® Plus

# Headlamp Sticker Tag

## Installation Instructions

### General Information

These instructions describe how to install the eGo® Plus Headlamp Sticker Tag correctly and permanently. Due to a wide variance of vehicle headlamp designs, these instructions are intended as a general guide.

The eGo Plus Headlamp Sticker Tag is a beam-powered radio frequency identification (RFID) tag specifically designed for exterior application to a vehicle's standard **plastic** headlamp. It supports Super eGo (SeGo) and American Trucking Associations (ATA) protocols.

When properly installed, this tag is designed to not interfere with the headlamp beam. The semi-permanent adhesive can withstand a variety of environmental conditions including regular car washing, UV exposure, vibration, windblown sand, and temperature and humidity variations.

### Required Supplies

- eGo Plus Headlamp Sticker Tag
- Microfiber cloth and water or gentle cleaning agent

### Choose a Location for Your Tag

Determine where you will mount the tag. Find a location that will allow for the tag to be positioned horizontally with a minimum distance around all edges of the tag of at least 2 in (5.1 cm) from any materials containing metal (**Figure 1**).

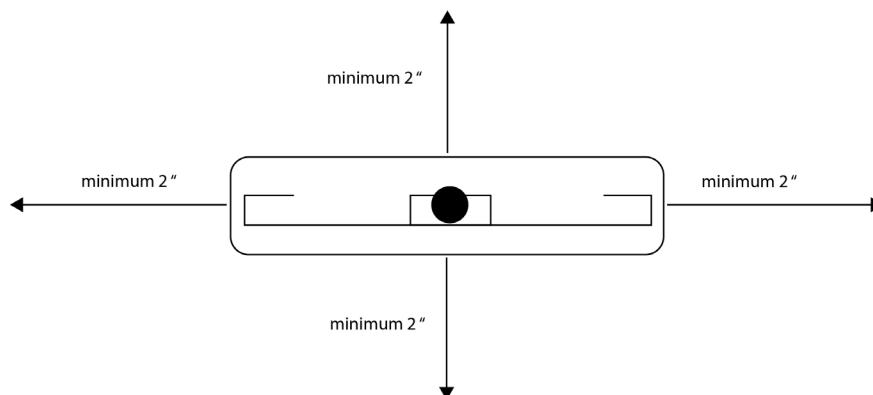


Figure 1 – eGo Plus Headlamp Sticker Tag

**Note: Most headlamps on newer vehicles are polycarbonate plastic. If your vehicle has glass headlamps, an alternate mounting location should be used.**

If the tag cannot be mounted to a headlamp, the tag may be mounted on a plastic forward-facing surface in an area near the headlamp, such as a fiberglass or plastic bumper. The tags are designed to mount on an exterior plastic surface; **tags should not be mounted on metal or glass surfaces.**

## Installing the Tag on a Headlamp

For best results, install the tag when the temperature of the mounting surface is above 50°F (10°C).

**Note: Once the tag is installed, it cannot be repositioned or moved.**

1. Clean and dry the area where the tag will be installed using a microfiber cloth and hot water. If you use a commercial cleaning agent, make sure that the agent will not harm the mounting surface on the vehicle.
2. Carefully peel the upper part of the tag from the liner, taking care to handle the tag by the edges and to avoid touching the side with adhesive. Do not bend or distort the tag as you remove it from the liner.

**Note: Only the upper part of the tag should be mounted to the headlamp. The lower part with the barcode should remain on the release liner (Figure 2).**

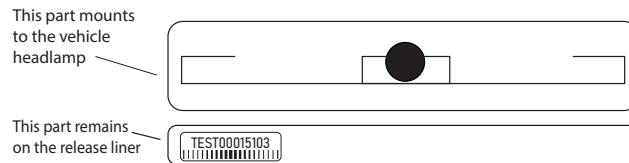
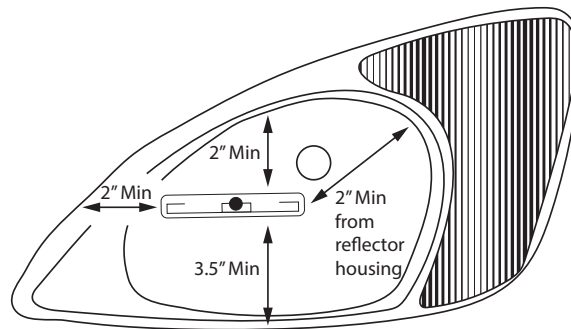


Figure 2 – Remove tag from liner

3. Select a location for the tag on the headlamp with at least 2 in (5.1 cm) clearance from any materials containing metal and approximately 3.5 inches from the bottom reflector (Figure 3).



TA-0504

Figure 3 – Placement of tag on headlamp

3. Handling the tag by the edges, install it at the selected location (Figure 4).

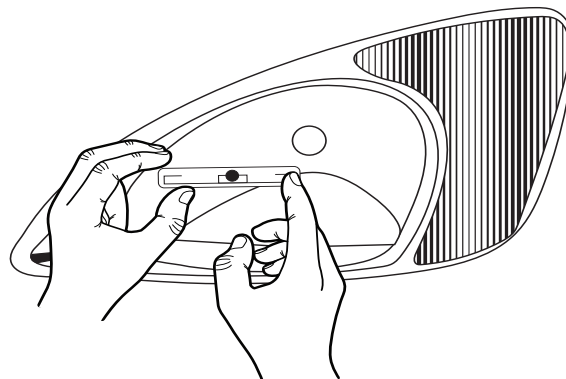


Figure 4 – Install tag on headlamp

- Smooth the tag to ensure complete adhesion and remove any air pockets. The tag is ready for immediate use (Figure 5).

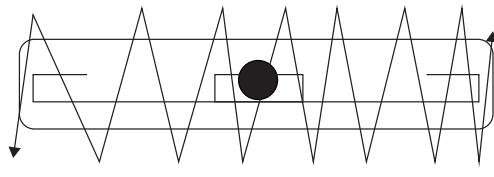


Figure 5 – Smooth tag to bond adhesive to surface

**Note:** Allow 72 hours after application before washing the vehicle to allow the adhesive to cure.

### Installing the Tag on a Plastic or Fiberglass Bumper

If the headlamp tag cannot be mounted to a headlamp, the tag may be mounted on a plastic surface near the headlamp, such as a bumper or trim piece. It must be 2 in (5.1 cm) away from any metal structures, including any metal mounting brackets behind the bumper or trim piece. Follow the general application steps to install the tag (Figure 6)..

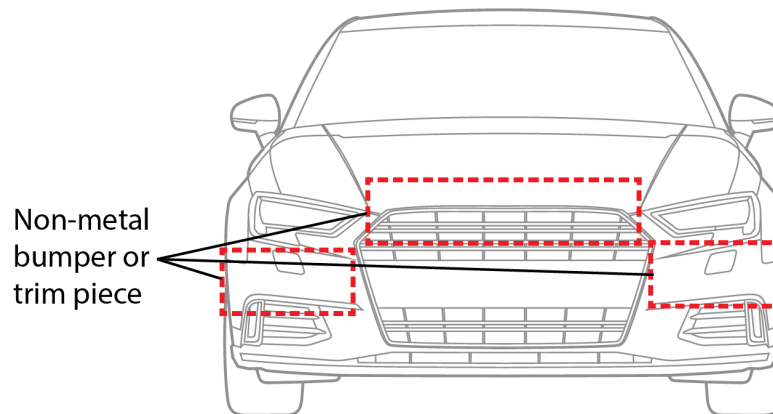


Figure 6 – Mounting locations near headlamp areas

### Removing the Tag

If you need to remove the tag from your vehicle, peel off the tag starting at one corner, then clean any adhesive residue remaining on the mounting surface using hot water and a microfiber cloth. If you use a commercial cleaning agent to remove the residue, make sure that it will not harm the mounting surface on the vehicle.

**Note:** Once you remove the tag, you cannot reuse it.

**For more information:**

**Sales Support**  
800.923.4824

**Technical Support**  
505.856.8007

**[transcore.com](https://www.transcore.com)**



**TRANSCORE**  
*Trusted Transportation Solutions*

© 2020-2023 TransCore LP. All rights reserved. TRANSCORE is a registered trademark and is used under license. All other trademarks listed are the property of their respective owners. Contents subject to change. Printed in the U.S.A.

16-0163-002 Rev B 12/2023